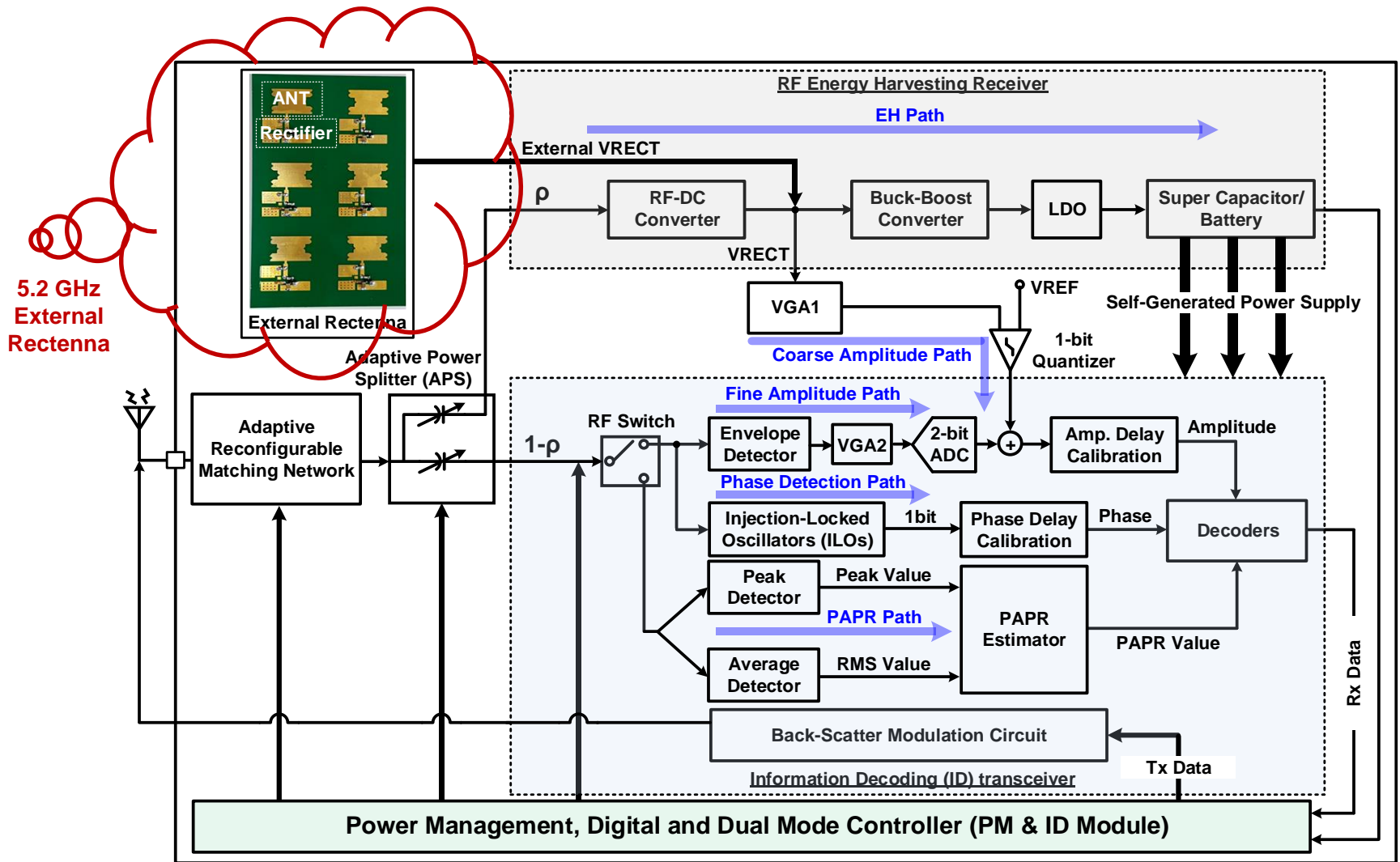
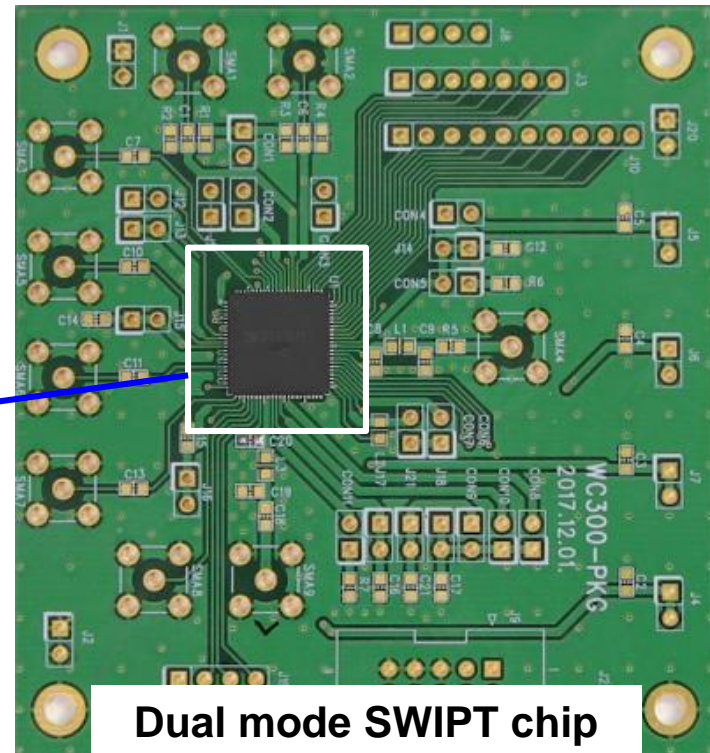


# Unified Design of Dual Mode SWIPT





**Dual mode SWIPT chip**